



L/CWFLED-2IPREM

CLEVERTRONICS SUPALITE WEATHERPROOF FLOODLIGHT WITH REMOTE PACK

Supalite IP65 Floodlight with remote control gear – wiring guide

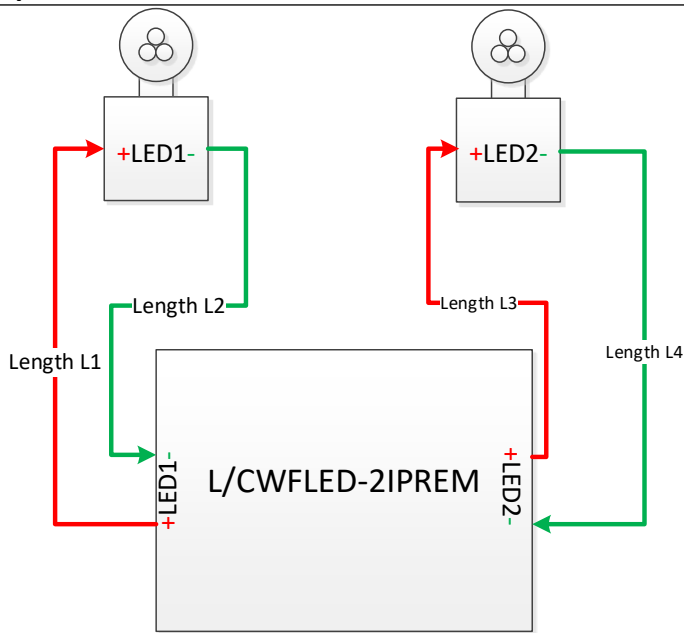
Inter-connecting cable type and distances

In accordance with AS2293.1 if the interconnecting cable traverses more than one fire compartment of a building, or if the cable is longer than 10m, the cable shall be provided with Class WS4X protection (I.E. Fire protected cable), in accordance with AS/NZS 3013.

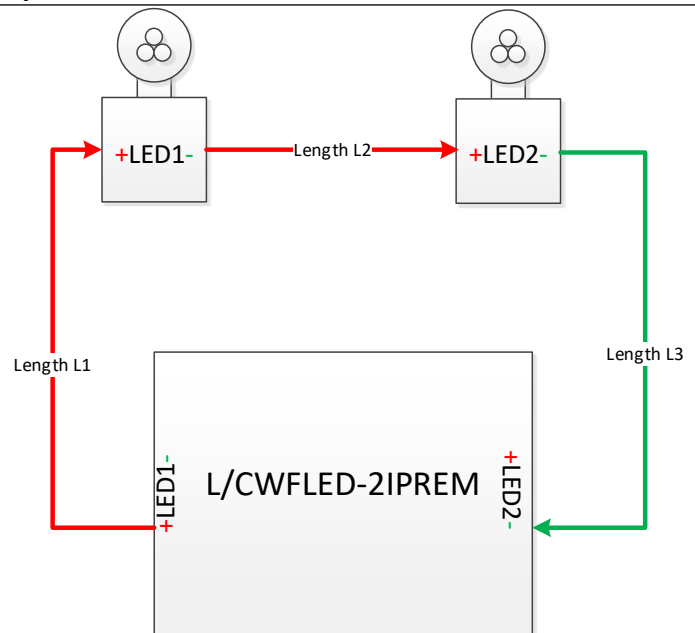
Below is a list indicating the maximum distance and cable size required to mount the CWFLED-2IPREM lamp source 10, 20, 30 & 40m away from the control pack and batteries. Please note that this cable would need to be suitably fire rated. Clevertronics would supply the pack and heads a terminal block for the contractor to supply and wire the appropriate 2-wire per lamp head "extension" (4 core in total) cable.

The cable sizes for 10M, 20M, 30M, 40M are as follows

Option 1:



Option 2:



L1 + L2 + L3 + L4	Cable Size	L1 + L2 + L3	Cable Size
10m	1.5 mm ²	10m	1.5 mm ²
20m	2.5 mm ²	20m	2.5 mm ²
40m	4.0 mm ²	40m	4.0 mm ²
80m	6.0 mm ²	80m	6.0 mm ²